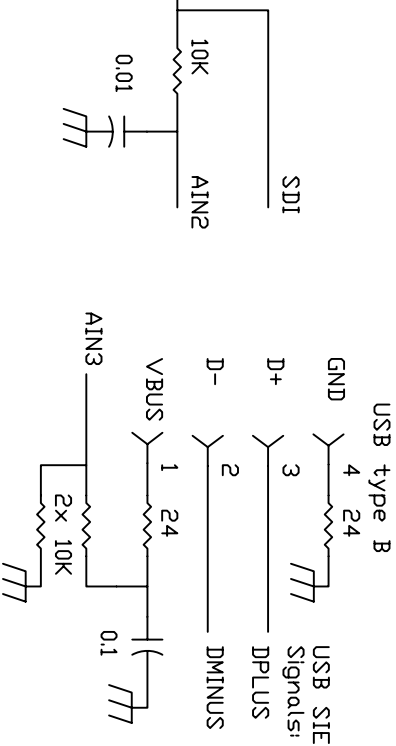
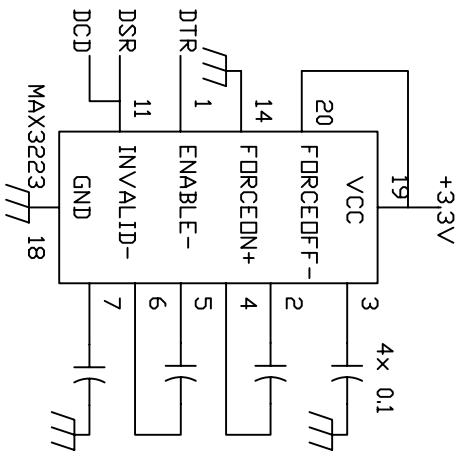
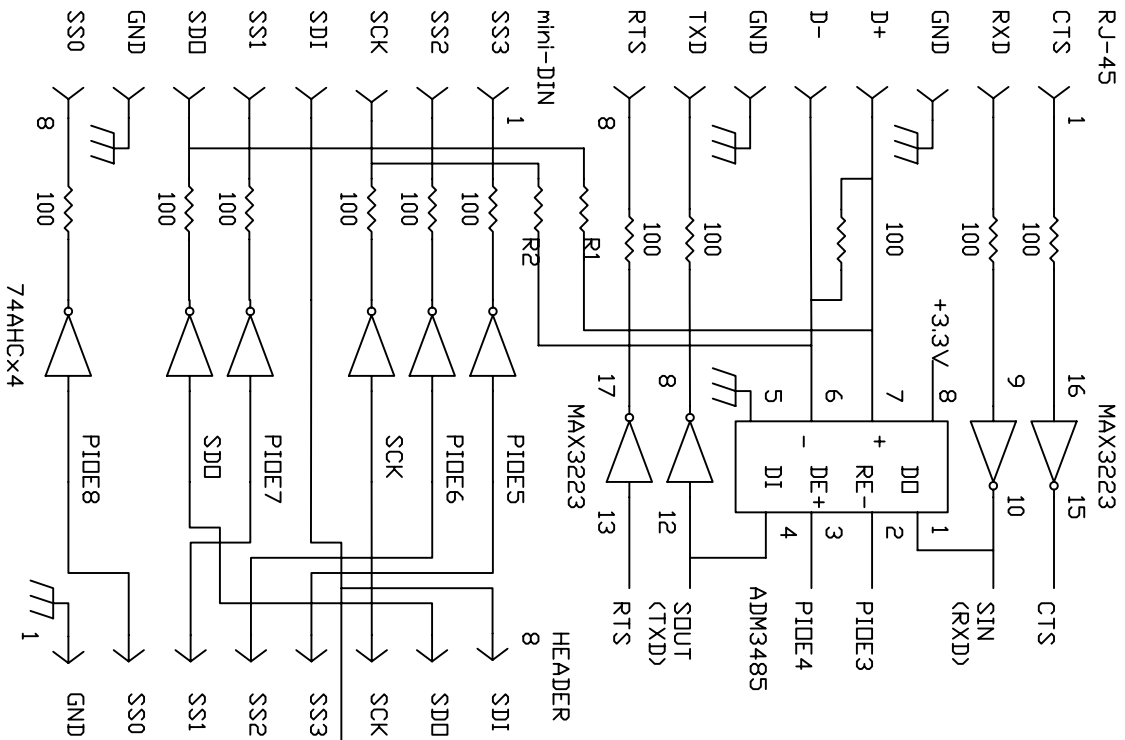


USER

REVDATE

FNAME



NOTE1: Underminated signals connect to pins in MCU pinout table.

NOTE2: Insert R1 and R2 (0-ohms) to enable RS-485 on mini-DIN connector. Remove resistors to 74AHCx4.

SIZE	DWG. NO.	TITLE	REV
SCALE	100180-4	DCP-1 Input/Output	
MILLENNIUM RADIO		SHEET	