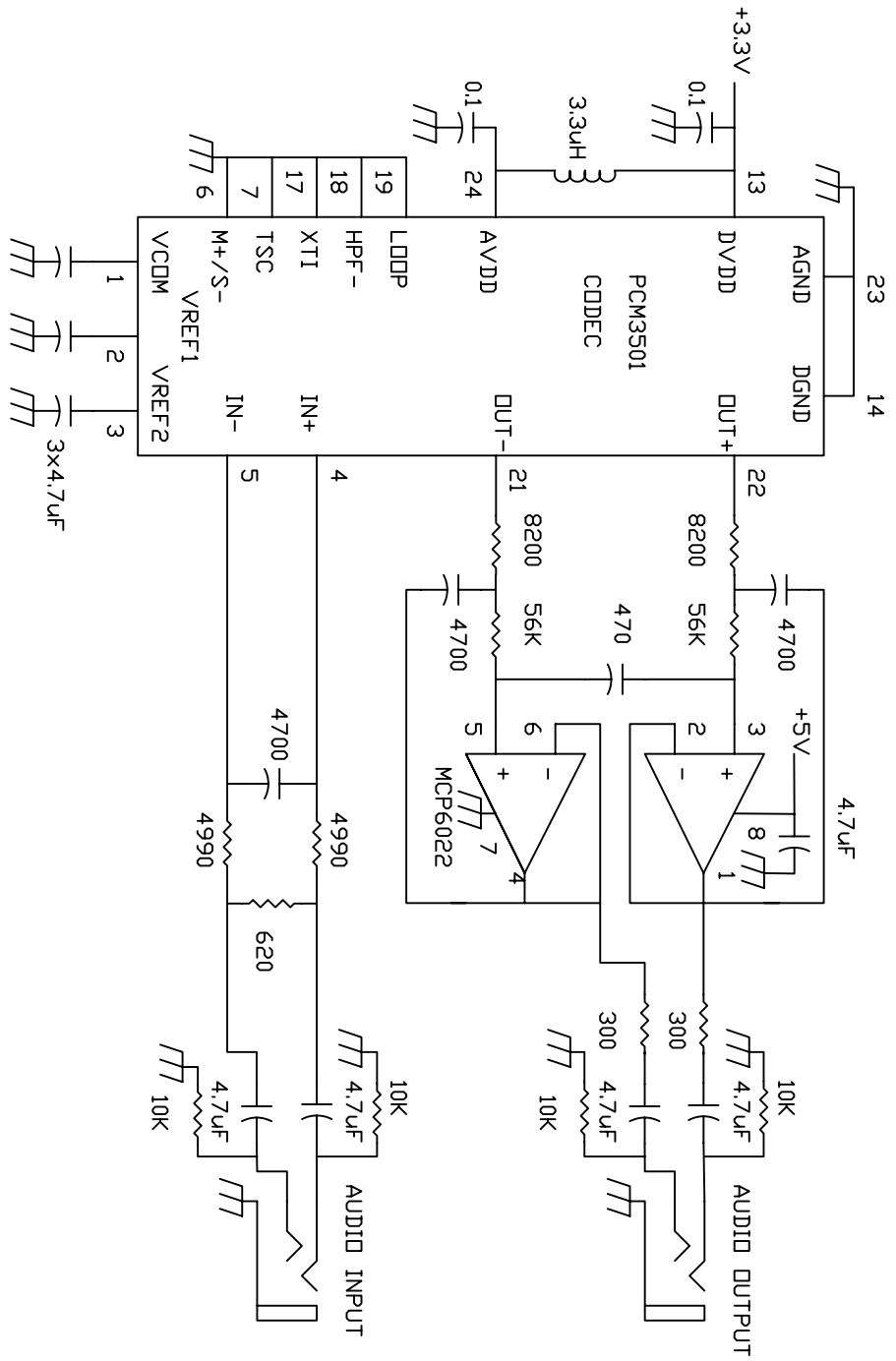


USER

REVDATE

FNAME



NOTE: CODEC digital I/O pins listed in FPGA pin table.

(C) Copyright 2005  
John B. Stephensen

SIZE	DWG. NO.	TITLE	REV
SCALE	100180-2	DCP-1 AUDD CODEC	
MILLENNIUM RADIO		SHEET	